

Five lamp pendant

440005CH -LED

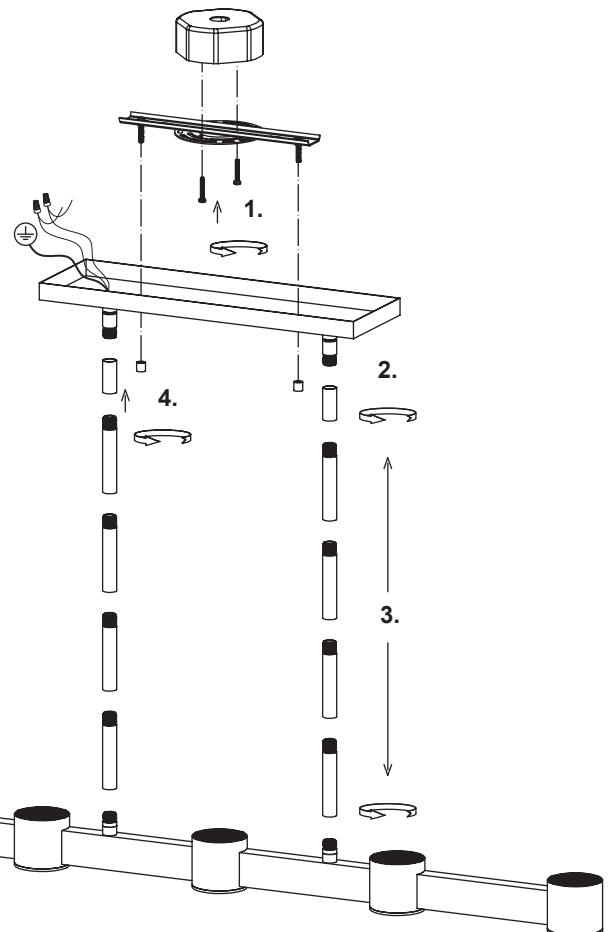
INSTALLATION SHEET

- 1.** Remove the fixture from its original packaging. Remove the canopy mounting plate from within the canopy and attach it to the electrical junction box on the ceiling using the two screws provided in the hardware package.
- 2.** Locate the rod adapters provided in the hardware package, and attach the adapters to the canopy by screwing the male connector on the canopy into the female connector of the rod adapter.
- 3.** Select the desired length you would like the fixture to hang down from the ceiling (42" maximum). Assemble the 6 – 12" rods and the 2 – 6" rods in a combination that comes closest to your predetermined desired length. Assemble the rods by threading the male end of the rods into the female ends of the connecting rods. Now attach the rods to the fixture by screwing the female end of the rods into the male connector on the fixture. Push the wires through the female end of the rod, and then feed the wires through the rod adapter on the canopy until the wires are all the way through. Then attach the rods to the canopy by screwing the male end of the rods into the female end of the rod adapter on the canopy (do not over tighten).
- 4.** Once your fixture is completely together you can now attach the canopy to the mounting plate, which is attached to the electrical junction box on the ceiling. First attach all wiring with the provided marrets (white to white "N", black to black "L", ground to ground "G"). Align the two holes from the canopy to the two screws pointing down from the mounting plate. Push the screws through the canopy plate so they are poking through, once this is complete you can screw on the decorative nuts until tight. (It is recommended that two people complete this portion of the installation due to the size of the fixture.)
- 5.** Install the crystal light covers onto the fixture. Take the crystal light cover and guide it gently onto the fixture. Carefully turn the crystal light cover in a clockwise motion in order to screw it firmly into place (do not over tighten).
- 6.** You have now completed the installation of your fixture, please enjoy.

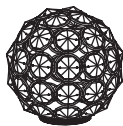
START FROM HERE

- Make sure power is completely off at the fuse box.
- Have your fixture installed by a qualified licensed electrician
- Prepare everything in clear area.
- Wear gloves at all times during this installation.
- Read instructions carefully before you start assembly.
- Keep this instruction sheet for future reference.

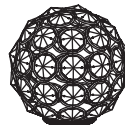
Technical Support: 1-877-452-6858



440015CH -LED



440005CH -LED



5.

KUZCO LIGHTING

19054 28th Avenue Surrey, BC Canada V3Z 6M3
T: 604 538 7162 TF: 1-855 85 KUZCO F: 604 538 7196
W: kuzcolighting.com